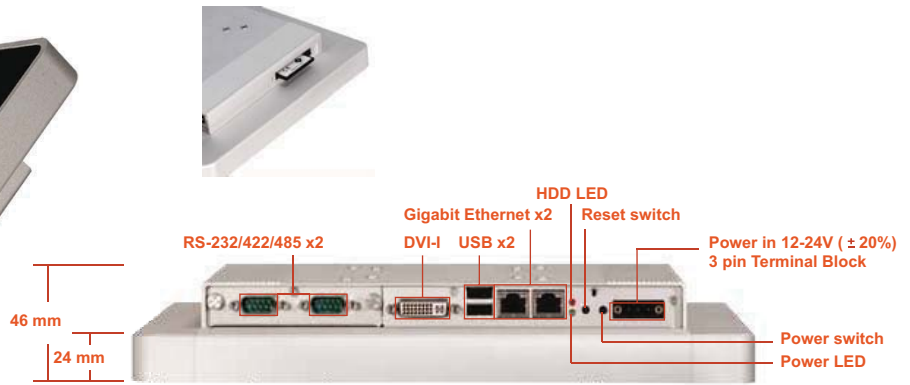


# EUDA2 Series

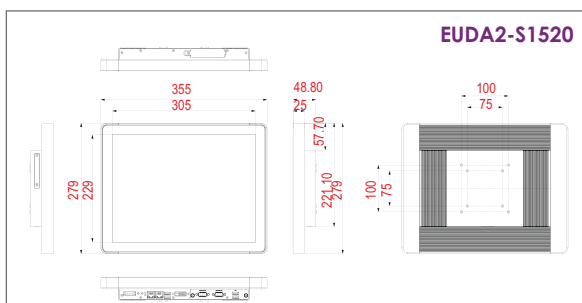
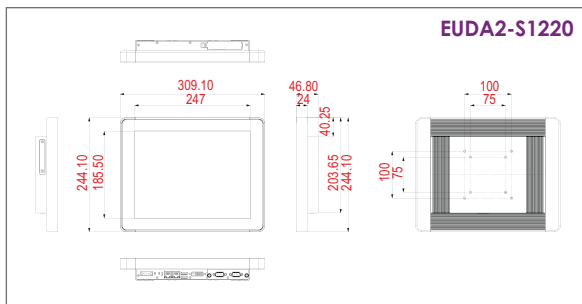
12.1" and 15" Intel® Atom™ Dual-Core D2550 based Panel PC with Touch Screen



## FEATURES

- Attractive industrial design and stylish appearance
- Project capacitive Multi-Touch
- Cable-less & HDD tray for easy installation and maintenance
- Ultra slim design (<50mm) and ultra light (<4kg)
- I/O board docking selectable module & COM selectable by BIOS
- Supports VESA Mount
- Wide DC input range (12~24V) & wide operation temp (0~50°C)
- Easily integrated with EtherCAT Support
- IP54 (front) / IP20 (rear)
- CE & FCC Class A Certification

## Outline Dimension



Model Name	EUDA2-S1220	EUDA2-S1520
<b>Display</b>		
LCD Size	12.1"	15"
Resolution	800 x 600	1024 x 768
Brightness	450 cd/m <sup>2</sup>	400 cd/m <sup>2</sup>
Contrast Ratio	700:1	700:1
Backlight	LED type	LED type
Touch Screen	Project capacitive Multi-Touch 5-wire resistive single touch (customizable)	
<b>System</b>		
CPU	Intel® Atom™ Dual-Core D2550 1.86 GHz (N2600/ N2880) Optional	
Chipset	Intel® NM10	
Memory	DDR3 SO-DIMM SDRAM 1066-1333 MHz max up to 4GB	
BIOS	AMI BIOS	
Graphics	Intel® GMA 3650/3600 Graphics	
LVDS	Dual Channel 24-bit	
LAN Chipset	Dual Intel® 82574L Gigabit	
Audio	Realtek High Definition Audio	
Watchdog Timer	1 ~ 255 levels reset	
Storage Device	2.5" SATA HDD / 2.5" SATA SSD / Compact Flash II up to 32GB	
OS	Windows 7 / XP Pro / WES 7 / XPE / Linux supported	
<b>I/O Interface</b>		
On Board	2x Gigabit Ethernet, 2x USB, 1x DVI-I	
Expansion (default)	2x RS-232 / 422 / 485	2x RS-232 / 422 / 485 2x USB
Expansion (option 1)	1x RS-232 / 422 / 485 1x Line-out	2x RS-232 / 422 / 485 1x RS-232
Expansion (option 2)	2x USB 1x Line-out	2x USB 1x Line-out 1x RS-232 / 422 / 485
Support Protocol	EtherCAT	
<b>Mechanical</b>		
Mounting (mm)	VESA Mount 75 x 75, 100 x 100	
Weight (kg)	3.8 Kg	4 Kg
<b>Power</b>		
Power Supply	DC 12 ~ 24V input (w/3 pin DC input terminal block)	
Power Consumption (W)	Working : 40W(max) ; Sleep : 8W	
Power Adaptor	12V, 5A / 60W (optional)	
<b>Environmental</b>		
OP/ Storage Temp	0 ~ 50°C; -20 ~ 80°C (20 ~ 95% , non-condensing)	
Vibration	1.0G (CF) and 0.5G (HDD) Power-on & 2.1G Packaged; 5 ~ 500Hz	
Shock	15G peak acceleration, 11 ms (power on condition)	
Drop	Packaged with carton from 96.5cm (1-Corner, 3-Axis, 6-Face)	
Front Panel Protection	IP54 (front) / IP20 (rear) (IEC 60529 Edition 2.1 Standard)	